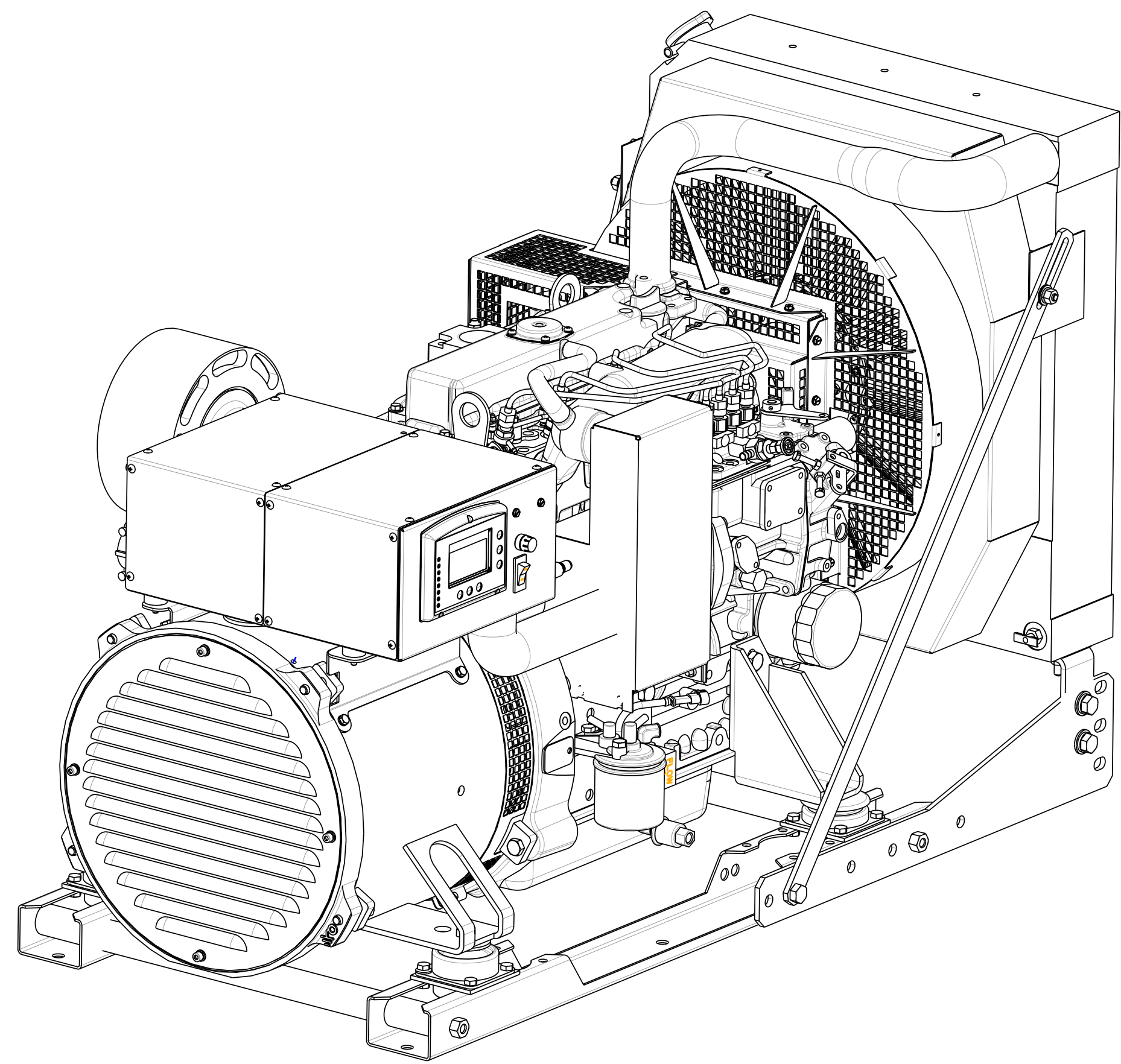
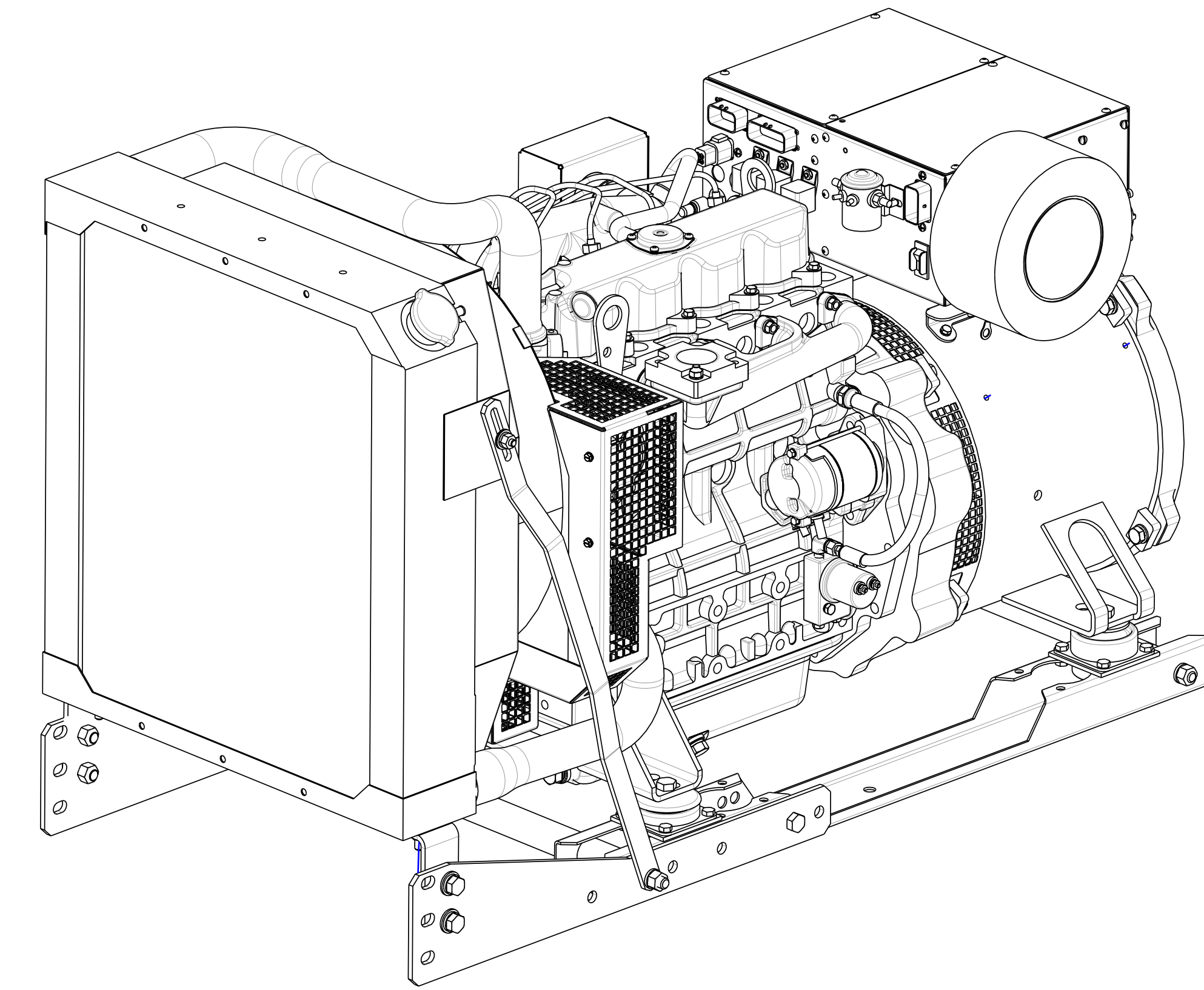
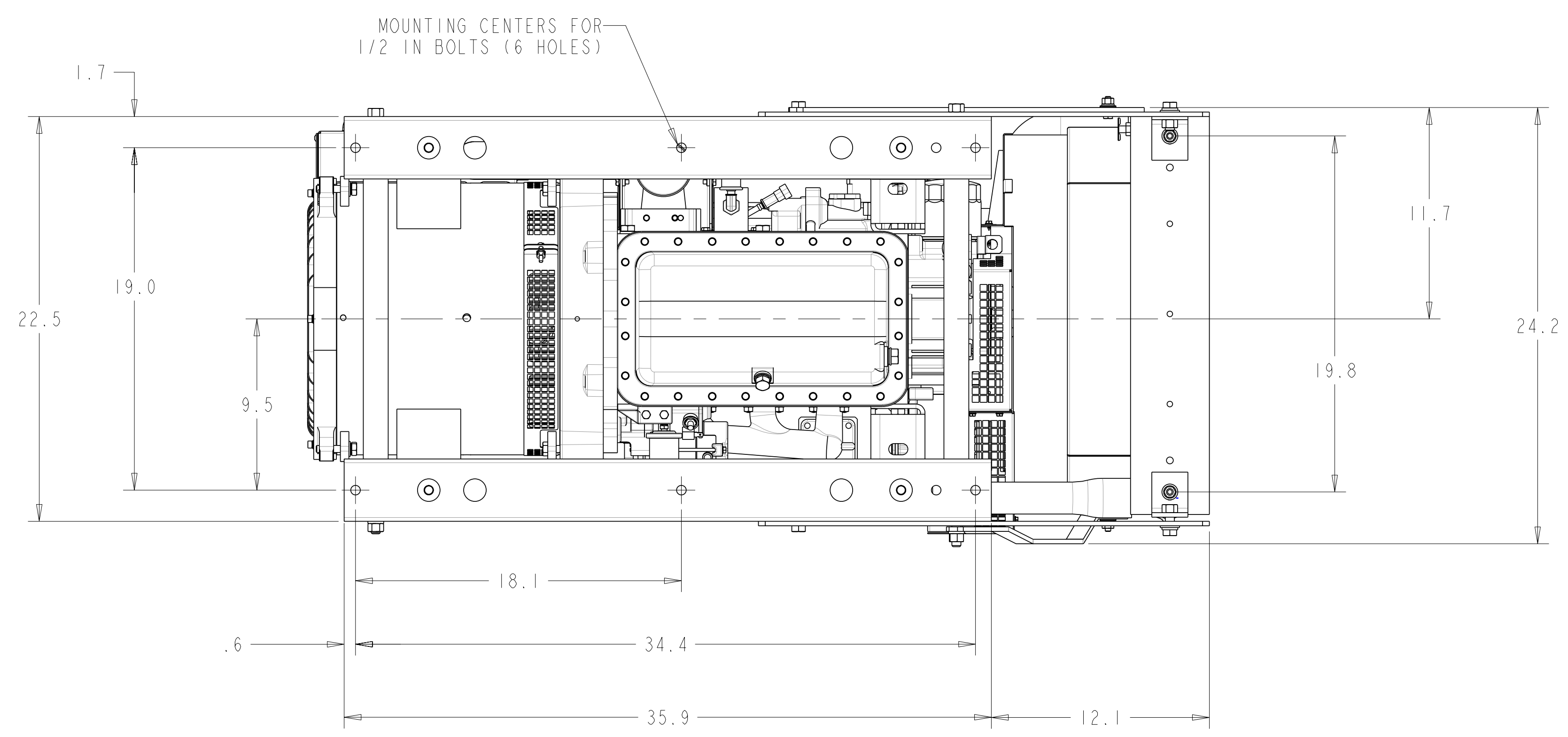
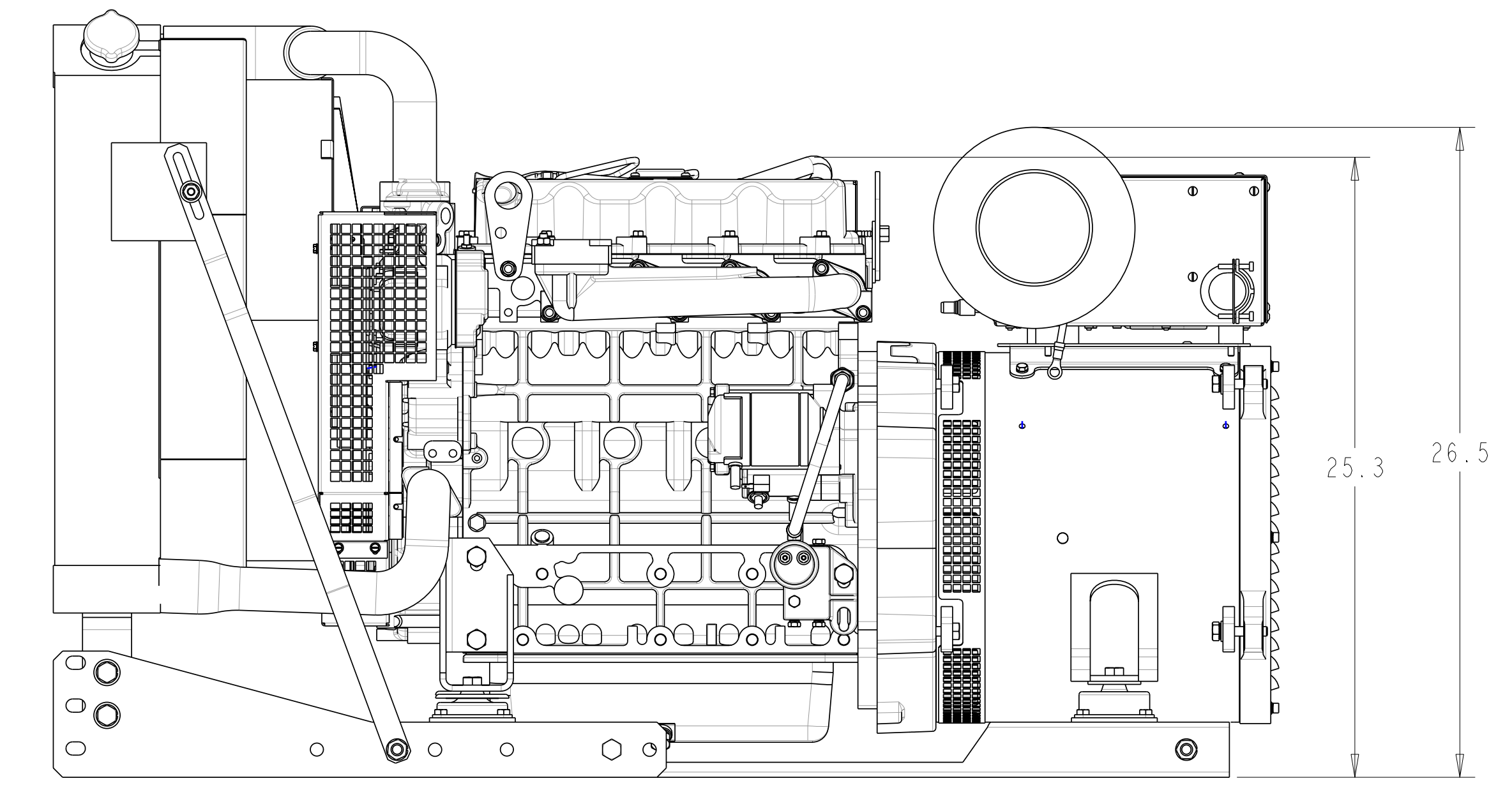
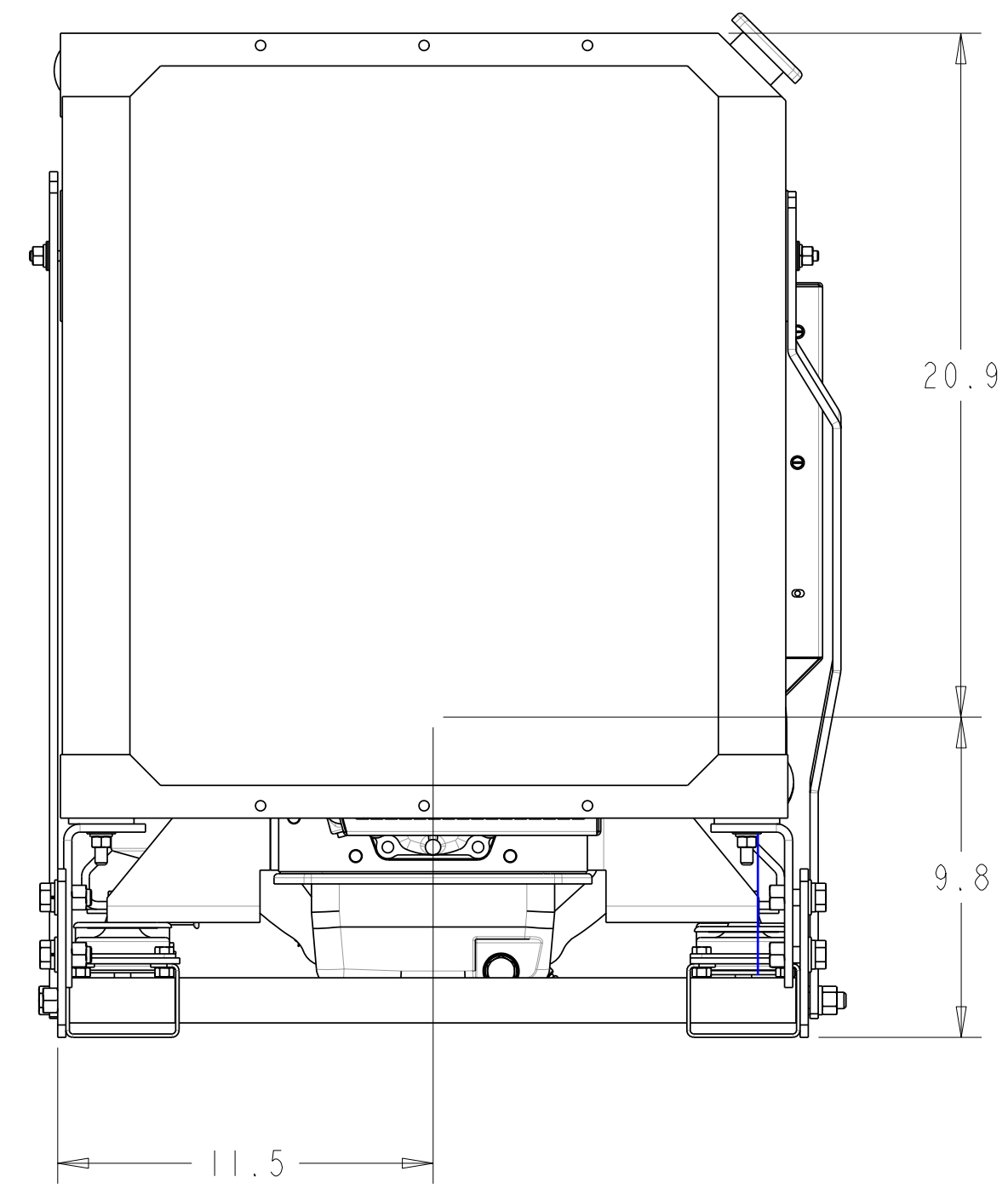
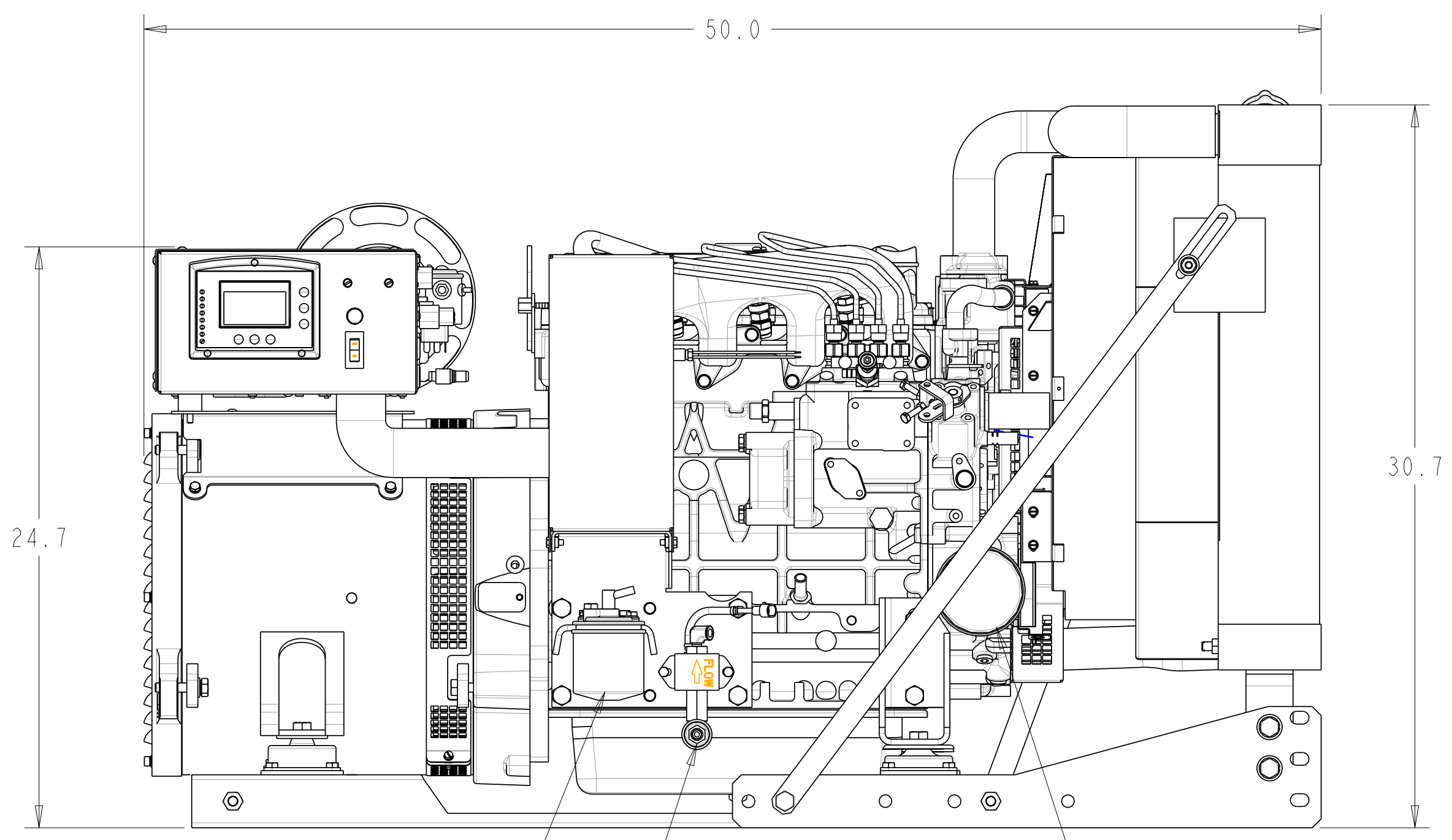
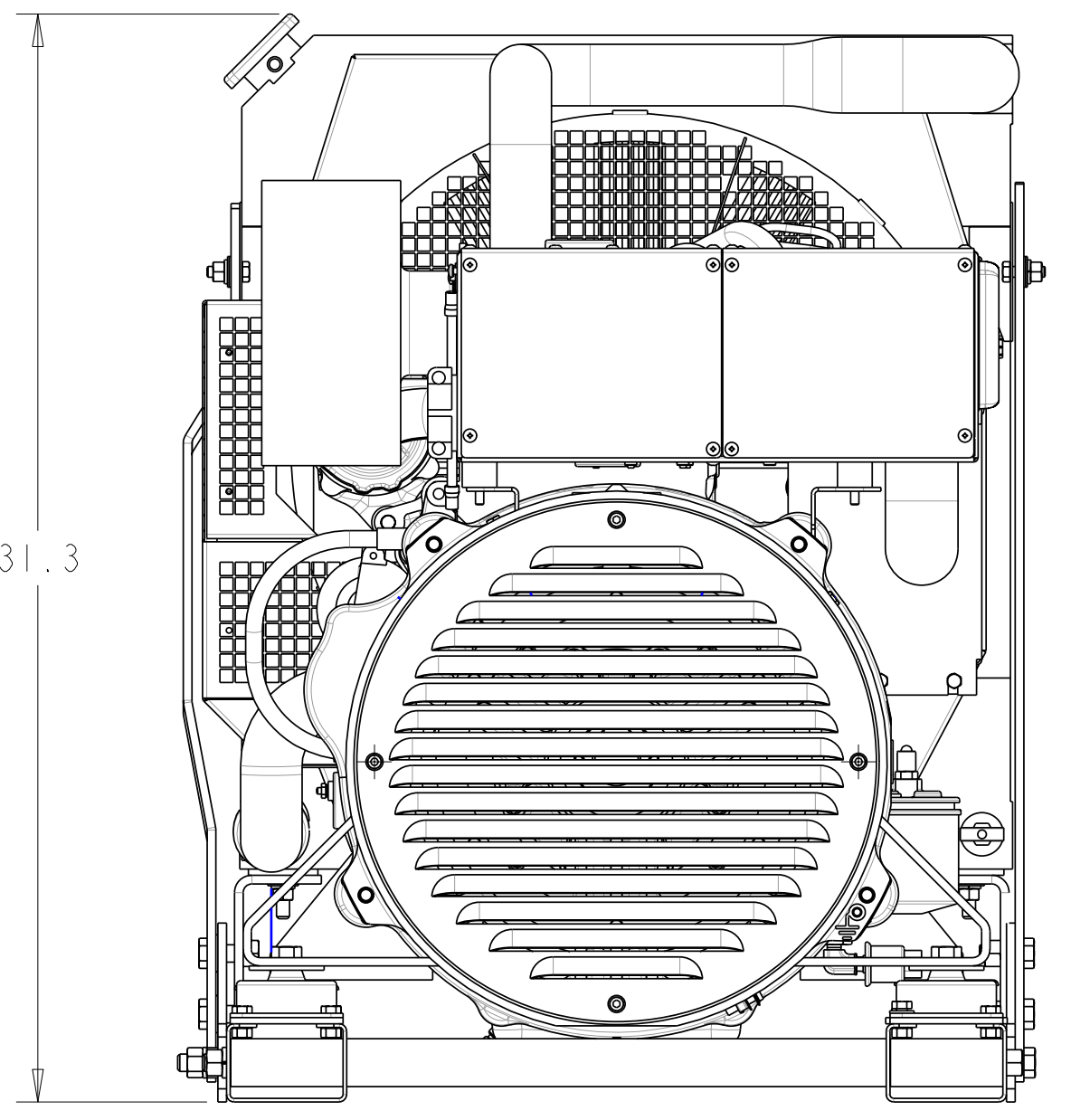


FUEL RETURN TO TANK



SCALE 0.200



TOLERANCES (UNLESS OTHERWISE NOTED)		WESTERBEKE CORPORATION TAUNTON, MA. 02780	
INCHES	MILLIMETERS	TITLE	
XX ± .02	X ± 1.0	INSTALLATION DRAWING, 20.0 EDER	
XX ± .005	XX ± .5	DRAWN BY	DATE
XX ± .01	XX ± .13	GA	24/Mar/09
FINISH		APPROVED BY	DATE
DIMENSIONS	SCALE 0.200	SIZE	DRAWING NUMBER
(WHEN APPLICABLE)	Sht. 1 of 1	E	54521
		REV.	